

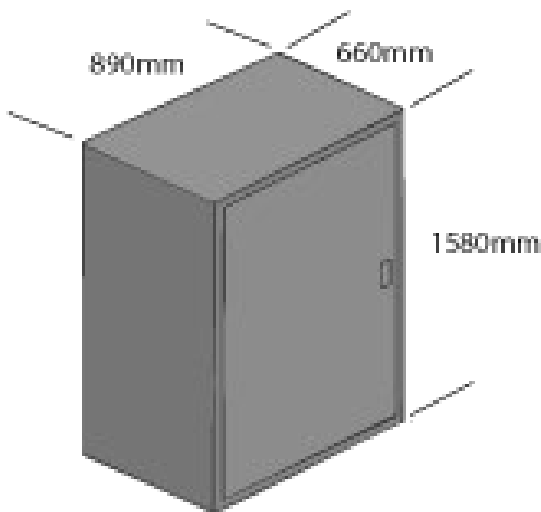


Ri Manufacturing specialise in high quality, affordable, secure and unattended delivery storage. These cabinets are versatile and can be used for many applications including newspapers, playground equipment and catering storage. Options include modular shelving and/or hooks.

The handwashing station has been developed to meet the increasing need for easy, accessible, handwashing facilities.

Handwash Cabinet

Cabinet dimensions: Height 1580mm x Width 890mm x Depth 660mm



Colours available: Blur, Green & Grey

Material specification;

- Material:** 1.2mm galvanised steel to EN10346:2015 DX51D+Z275
- Finish:** Cleaned and iron phosphate etched, coated with D2000 architectural quality powder paint.
- Fixings:** Stainless steel rivets.
- Locks:** Custom "T" handle, quarter turn cam lock. Radial pin lock with four keys, (unlikely to be cut by a locksmith.) When key is inserted, handle pops out to facilitate opening whilst reducing any protrusions when locked. **The handwashing station has a lock which can only be opened/closed when using a key.**
- Hinges:** Full length, piano hinges, zinc plated with stainless steel pins.
- Safety:** All Ri cabinets have front opening doors to facilitate easy, safe access. An internal tray is fitted so the loading area is flush with lips on the cabinet and parcels can be slid in and out without lifting. Cabinets are designed without sharp edges and protrusions.
- Security:** A locking bar with up to 15 locking tags is lifted by operating the cabinet tags, this means these mesh all the way down the opening side of the door. The closing side of the door is kept secure by a full length hinge and the top is protected against leverage by studs that close inside the cabinet door. The cabinet door is inset within flanges all the way around the door opening.
- Installation:** All necessary fixings are supplied, as are full instructions. Cabinets can be fitted simply and safely using our list of what's needed. This cabinet is designed to be fitted securely to a wall or floor. We also supply levelling bolts to overcome the cabinet being pushed or pulled out of shape by non upright walls.

Fire & weather

resistance: Cabinets are made purely from metal so are suitable for use as fire proof cabinets, cabinets are at least to IP44 and warranted for 10 years against rust perforation.

Options: Our Handwash Station cabinets can also be supplied with shelves and hooks.

Sink can be fitted to height required prior to dispatch.

Sink made from 5mm capped with acrylic

Shelf fitted as standard for storage.

Cabinet can be secured to ground or wall.

Drainage: 3 options;

1. In to 25 litre plastic containers which can be slid on to a wheeled skid/sack trucks for emptying. Sink empties in to containers with on/off tap for each container. Containers, optional extra.
2. Drain can be connected to spigot on preferred side so that hose can be taken to nearest outside drain.
3. Sink waste outlet can be run back to nearest sink waste. (Simple instructions available but you might prefer to engage a plumber)

Sink: Hot and cold water is connected to nearest sink via plastic push fit pipe and fittings. Simply isolate supply, disconnect and bolt up new fitting which is supplied with isolating valve, and run pipe through to back of cabinet. (Supply taken after any water temperature control system). Single mixer tap supplied

Drop Bolt: Fitted so the door can be bolted to the ground to prevent slamming.

Provision for mounting paper dispenser and disposal unit.

Disclaimer: In severe weather conditions, users should satisfy themselves the unit is safe to use. If the system is left for long periods, we recommend turning off the water supply at the isolation supply and flushing the system in accordance with your water safety procedure. The hot and cold supply is insulated in the cabinet but in the event of long inactivity, open taps and isolate supply. No warranty is given or implied.

The Ri Handwashing Station is supposed to be used under adult supervision and it should be noted that the water temperature is as per the customers' existing water supply.

Warranty: 5 years against rust penetration providing the cabinet has been maintained in good working order. All other forms subject to our terms and conditions.

Ri believe in making sustainable products that last a long time and all components are designed to be exchanged fairly simply.

WARNING – MAKE SURE YOU DO NOT DRILL WHERE THERE MIGHT BE ELECTRIC, GAS OR WATER PIPES.

Ri MANUFACTURING ACCEPT NO RESPONSIBILITY FOR ANY DAMAGE CAUSED TO PERSONS OR PROPERTY DURING INSTALLATION OF THE CABINET.

For advice on how to install your cabinet call our technical support number on 01985 248454 or

email admin@rimanufacturing.com

**Ri Manufacturing Limited, Chapelbarn Yard, Wylve BA12 0QQ
Tel: 01985 248454 Email: hello@rimanufacturing.com www.rimanufacturing.com**